



- TASTE THE DIFFERENCE -

MODEL 99T-RMT

This pressurized, 2-flavor twist soft serve machine produces the highest quality, most consistent and profitable product you can serve. Ideal for operators that want to serve a high-quality product but don't require huge volume. This machine is perfect for co-branding concepts as well as college cafeterias, buffets and adding additional flavors to any shops.

The Electro Freeze Advantage

- **Patented Mix Transfer System*** simplest and most reliable pressurized system available
- **Flexible Mix Holding System** pumps directly from bags or from mix containers
- **The Finest Frozen Product**, consistently the best frozen product available. Smooth, creamy and profitable
- **Self Closing Spigots** prevents the mess and eliminates waste
- **Adjustable Dispense Rate** set to meet your specific dispensing speed and volume requirements
- **Exclusive Auger Design** gently blends, reducing agitation, maintaining product quality and consistency.
- **Energy Conservation Mode** reduces energy cost and holds product safely during non-business hours
- **Superior Low Temperature Refrigeration System** provides the best in class production and product quality
- **Product Flexibility** serves a variety of frozen products, custard, ice cream sorbets, water ice or yogurt
- **Experience Tells** Electro Freeze has been manufacturing quality frozen treat machines since 1929. Superior engineering, product innovations, sturdy construction, quality craftsmanship and dependable performance are Electro Freeze hallmarks.
- **Superior Service Support** backed by a worldwide distributor network

*U.S. Patent #5,349,825

PRESSURIZED SOFT SERVE FREEZER

Freedom 360° Series

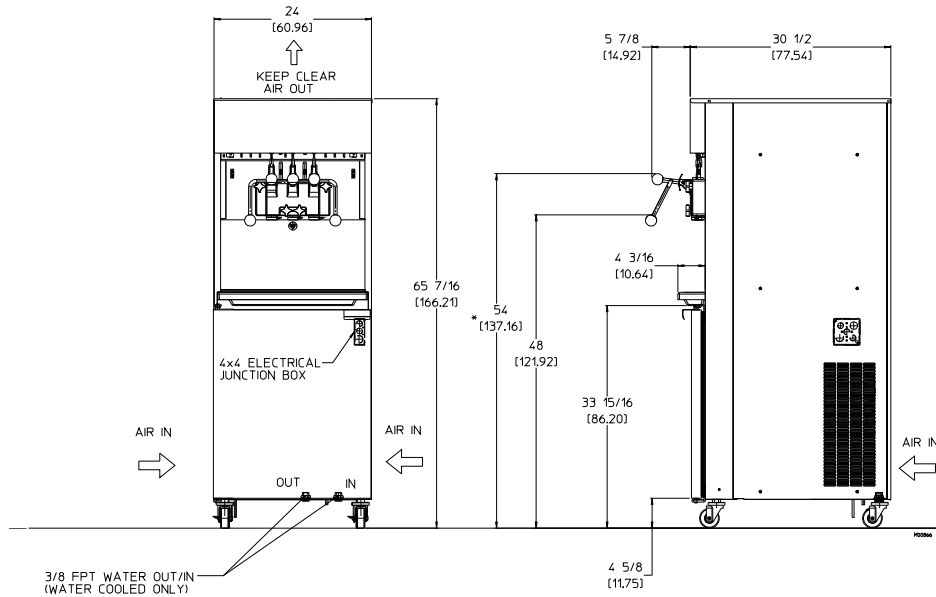
2 Flavor Twist



electrofreeze.com

FOR MORE INFORMATION CONTACT

800-755-4545 • sales@electrofreeze.com



MODEL 99T-RMT SPECIFICATIONS

Due to continual product improvements all specifications are subject to change without notice.

Weights	lbs.	kgs.	
Net	752	341	
Crated	804	364	
	cu.ft.	cu.m.	
Volume	58.42	1.65	
Dimensions	in.	cm.	
Width	24	60.96	
Depth	30.5	77.54	
Height	65-7/16	166.21	
Electrical	Maximum Fuse Size	Minimum Circuit Ampacity	Poles (P) Wires (W)
208-230/60/1 Air	40	37	2P, 2W
208-230/60/1 Water	40	39	2P, 2W
208-230/60/3 Air	30	28	3P, 3W
208-230/60/3 Water	30	26.5	3P, 3W
	Total Amps		Poles (P) Wires (W)
380-415/50/3 Air	14.1		3P, 4W
380-415/50/3 Water	15.5		3P, 4W
<i>Electrical characteristics other than above available on request from factory or local distributor. Check nameplate for exact electrical data.</i>			
Bidding Spec			
Electrical: Volt _____	Hz _____	Ph _____	
Cooling: _____	Neutral _____	Yes _____	No _____
Options: _____			

Electrical

One dedicated electrical connection is required. Manufactured to be permanently connected. See electrical chart for the proper requirement. Consult your local electrical codes for cord and receptacle specifications.

Beater Motor

Two, 2 hp.

Refrigeration Systems

One, 12,000 Btuh. R404a.
Separate Cabinet Refrigeration, One, 1200 Btuh, R134a. Btuh may vary depending on compressor used.

Air and Water Cooled

6" (15.2 cm) air space required at rear panel or both side panels and 18" (45.7cm) air space above unit for proper air circulation.

Mix Tank Capacity: two - 22 quarts (20.8 liters) each
Freezing Cylinder Capacity: two - 3.7quarts (3.5 liters) each

Certified and/or listed by:



*UL listed and listed by Underwriters Laboratories under Canadian National Standard C22.2 No. 120-M91 (R2008)
**Select Voltages @ 50HZ



Electro Freeze div. of H.C. Duke & Son, LLC
2116-8th Avenue, East Moline, Illinois 61244 USA
Phone (309) 755-4553 • (800) 755-4545
FAX (309) 755-9858
E-mail: sales@electrofreeze.com • www. electrofreeze.com

Authorized Distributor