



- TASTE THE DIFFERENCE -

MODEL SLX400C

Features the Genesis Series™ with the Virtual Quality Management System™ to streamline your business. Offer your guests a smooth creamy consistent yogurt, ice cream, custard or sorbet! The 22" wide footprint available as a counter model allows for more units in a smaller space. The perfect yogurt shop freezer is great for adding flavors to ice cream shops, too! Great for QSRs, retirement villages and hospital cafeterias.

The Electro Freeze Advantage

- **Virtual Quality Management System™** monitors Temperature and Consistency to provide superior taste and quality.
- **Multi-function LED display** with manager smart tools.
- **Innovative Solutions** providing the best product quality in the industry.
- **Meets ADA Specifications** for self service applications
- **Self-closing handles** eliminate waste
- **Patented auger** gently blends reducing agitation and maintaining product quality and consistency.
- **Simple to operate** and easy to clean
- **Experience Tells** Electro Freeze has been manufacturing quality frozen treat machines since 1929. Superior engineering, product innovations, sturdy construction, quality craftsmanship and dependable performance are Electro Freeze hallmarks.
- **Superior Service Support** backed by a world-wide distributor network.

SOFT SERVE FREEZER GENESIS SERIES™ featuring

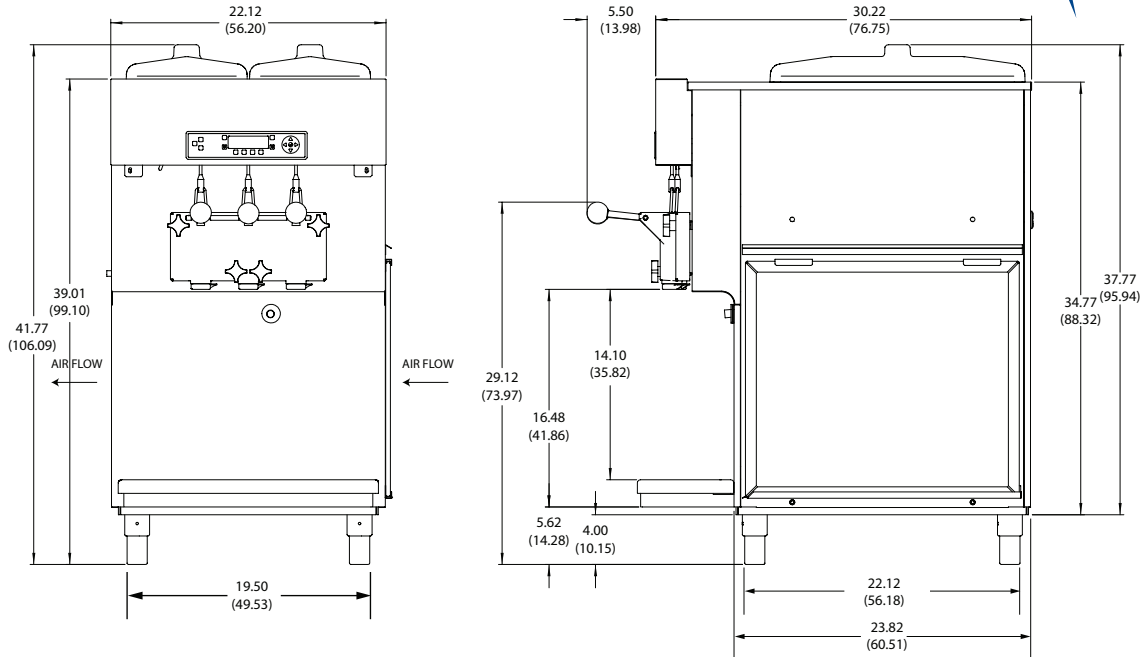

**Virtual Quality
Management System™**



**Let VQM help manage your frozen
dessert business more effectively.**



SLX400C Soft Serve Freezer



MODEL SLX400C SPECIFICATIONS

Due to continual product improvements all specifications are subject to change without notice.

Weights	lbs.	kgs.
Net	420	190.5
Crated	500	226.79
	cu.ft.	cu.m.
Volume	15	.43
Dimensions	in.	cm
Width	22-1/8	56.20
Depth	30-1/8	76.52
Height	37-11/16	95.73
Electrical	Maximum Fuse Size	NEMA Plug Type
208-230/60/1 Air	20	6-20P
	Total Amps	kW
220-240/50/1 Air	15.7	3.2

Electrical characteristics other than above available on request from factory or local distributor. Check nameplate for exact electrical data.

Bidding Spec

Electrical: Volt _____ Hz _____ Ph _____

Cooling: _____ Neutral _____ Yes _____ No

Options: _____

Electrical

One dedicated electrical connection is required. See electrical chart for the proper requirement. Consult your local electrical codes for cord and receptacle specifications.

Beater Motor

Two, 1 hp.

Refrigeration Systems

One, 6,900 Btuh. R404a.
Btuh may vary depending on compressor used.

Air Cooled

6" (15.2 cm) air space required on both sides for proper air circulation and be open on the top.

Mix Hopper Capacity: two - 12 quarts (11.4 liters) each

Freezing Cylinder Capacity: two - 2.7 quarts (2.6 liters) each

Certified and/or listed by:



*UL listed and listed by Underwriters Laboratories under Canadian National Standard C22.2 No. 120-13



Electro Freeze div. of H.C. Duke & Son, LLC

2116-8th Avenue, East Moline, Illinois 61244 USA
Phone (309) 755-4553 • (800) 755-4545
FAX (309) 755-9858
E-mail: sales@electrofreeze.com • www.electrofreeze.com

Authorized Distributor