



- TASTE THE DIFFERENCE -

## MODEL 30RMT

This pressurized soft serve freezer dispenses two separate mixes, allowing multiple crew members to pull product at the same time. The pressurized machines are excellent for high butterfat mixes like custard, lowfat and premium ice cream. Perfect for high-volume college & university cafeterias, restaurants, ice cream shops and stadium concessionaires.

### The Electro Freeze Advantage

- **Patented Mix Transfer System\*** simplest and most reliable pressurized system available.
- **Flexible Mix Holding System Pumps** directly from bags or from mix containers
- **The Finest Frozen Product**, consistently the best frozen product available. Smooth, creamy and profitable.
- **Self Closing Spigots** prevents the mess and eliminates waste
- **Adjustable Dispense Rate** set to meet your specific dispensing speed and volume requirements
- **Exclusive Auger Design** Superior low temperature refrigeration system provides the best in class production and product quality.
- **Energy Conservation Mode** reduces energy cost and holds product safely during non-business hours
- **Superior Low Temperature Refrigeration System** provides the best in class production and product quality
- **Product Flexibility** serves a variety of frozen products, custard, ice cream sorbets, water ice or yogurt
- **Experience Tells** Electro Freeze has been manufacturing quality frozen treat machines since 1929. Superior engineering, product innovations, sturdy construction, quality craftsmanship and dependable performance are Electro Freeze hallmarks.
- **Superior Service Support** backed by a worldwide distributor network

\*U.S. Patent #5,349,825

## PRESSURIZED SOFT SERVE FREEZER

Freedom 360° Series  
2 Flavors

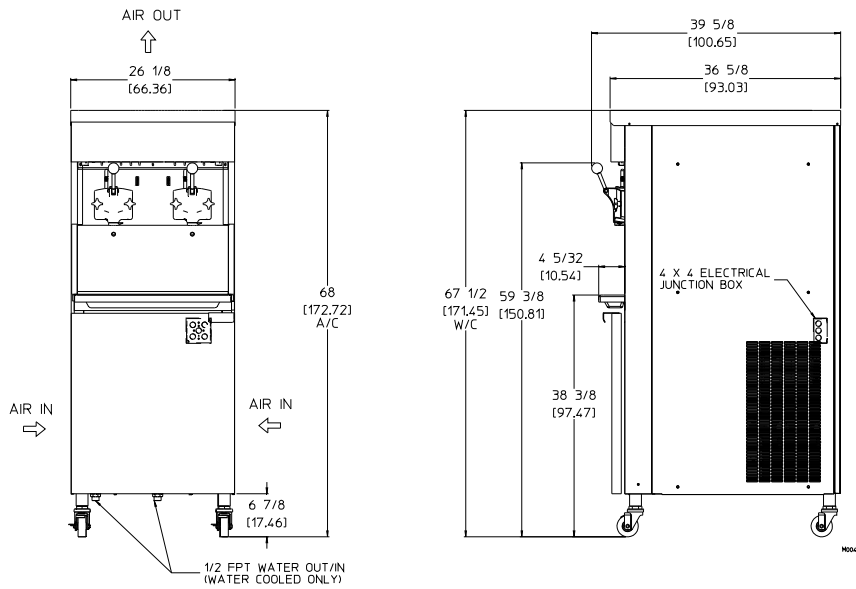


[electrofreeze.com](http://electrofreeze.com)

FOR MORE INFORMATION CONTACT

800-755-4545 • [sales@electrofreeze.com](mailto:sales@electrofreeze.com)

30RMT Soft Serve Freezer



**MODELS 30RMT SPECIFICATIONS**

Due to continual product improvements all specifications are subject to change without notice.

<b>Weights</b>	<b>lbs.</b>	<b>kgs.</b>	
Net	847	384	
Crated	993	450	
	<b>cu.ft.</b>	<b>cu.m.</b>	
Volume	58.42	1.65	
<b>Dimensions</b>	<b>in.</b>	<b>cm.</b>	
Width	26-1/8	66.36	
Depth	36-5/8	100.65	
Height Air	67-3/4	172.09	
<b>Electrical</b>	<b>Maximum Fuse Size (Qty)</b>	<b>Minimum Circuit Ampacity (Qty)</b>	<b>Poles (P) Wires (W)</b>
208-230/60/1 Air	35 (2)	27 (2)	2P, 2W
208-230/60/1 Water	30 (2)	24.5 (2)	2P, 2W
208-230/60/3 Air	25 (2)	19 (2)	3P, 3W
208-230/60/3 Water	20 (2)	16.5 (2)	3P, 3W
	<b>Total Amps</b>	<b>Poles (P)</b>	<b>Wires (W)</b>
380-415/3/50 Air	10.7	3P,	4W
380-415/3/50 Water	8.9	3P,	4W

\* Model 30RMT has 2 separate systems.

*Electrical characteristics other than above available on request from factory or local distributor. Check nameplate for exact electrical data.*

**Bidding Spec**

Electrical: Volt \_\_\_\_\_ Hz \_\_\_\_\_ ph \_\_\_\_\_  
 Cooling: \_\_\_\_\_ Neutral \_\_\_\_ Yes \_\_\_\_ No  
 Options: \_\_\_\_\_

**Electrical**

Two dedicated electrical connections are required. Manufactured to be permanently connected. See electrical chart for the proper requirement. Consult your local electrical codes for cord and receptacle specifications.

**Beater Motor**

Two, 2hp

**Refrigeration Systems**

Two, 9500 Btuh. R404a. Btuh may vary depending on compressor used.

**Air and Water Cooled**

6" (15.2 cm) air space required at rear or both side panels for proper air circulation.

**Mix Tank Capacity:** two - 26 quarts (24.6 liters) each

**Freezing**

**Cylinder Capacity:** two - 5 quarts (4.7 liters) each

Certified and/or listed by:



\*UL listed and listed by Underwriters Laboratories under Canadian National Standard C22.2 No. 120-M91 (R2008)  
 \*\*Select Voltages @ 50HZ

**Electro Freeze div. of H.C. Duke & Son, LLC**  
 2116-8th Avenue, East Moline, Illinois 61244 USA  
 Phone (309) 755-4553 • (800) 755-4545  
 FAX (309) 755-9858  
 E-mail: sales@electrofreeze.com • www.electrofreeze.com

**Authorized Distributor**